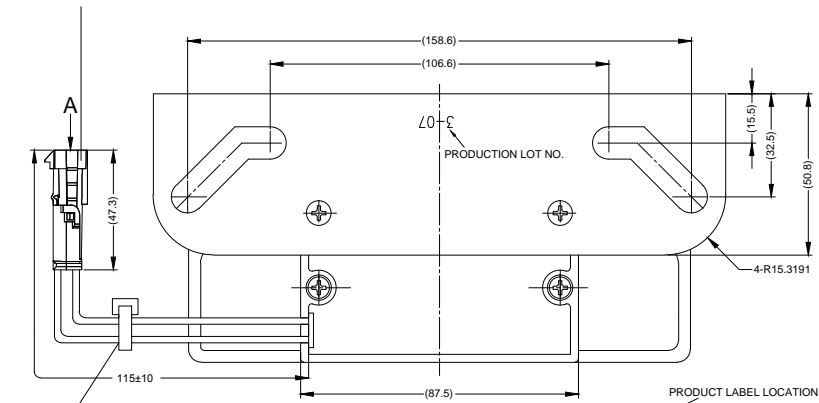
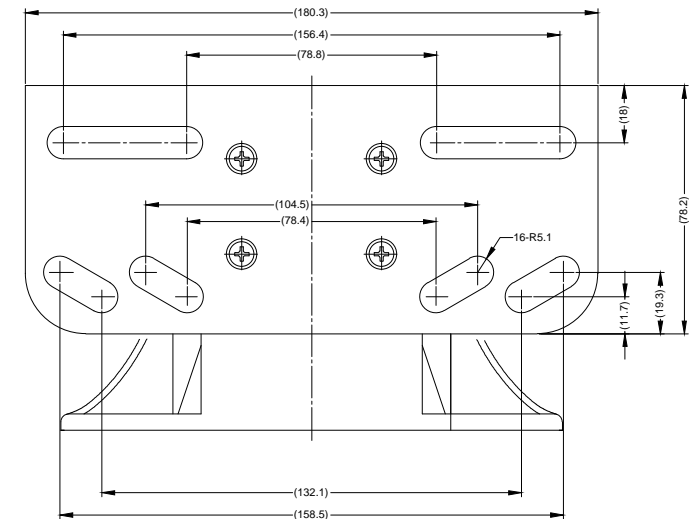
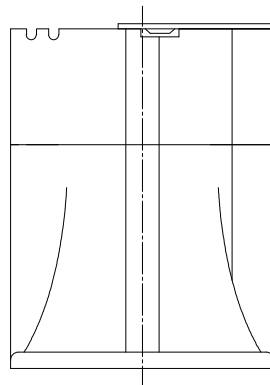
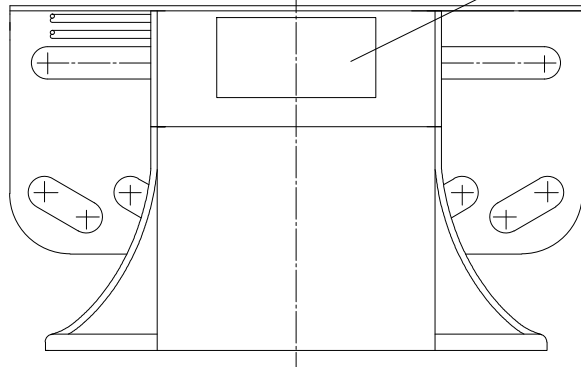


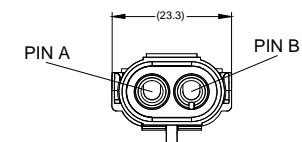
DELPHI CONNECTOR
CONNECTOR P/N: 12034074
TERMINAL P/N: 12089040
WIRE SEAL P/N: 12015284



BLACK CABLE TIE.



VIEW A
MATING FACE



PIN	WIRE COLOUR	DESCRIPTION
A	BLACK	GROUND
B	RED	12/24V

SPECIFICATION:

1. RATED VOLTAGE 12/24 VDC. (WORKING VOLTAGE RANGE 9 ~ 32 VDC)
2. RATED CURRENT: 1.0 AMPERES OR LESS.
3. SOUND PRESSURE: 112±4dB AT TEST VOLTAGES OF 14/28 VOLTS. (AS MEASURED AT A DISTANCE OF 1.2m AND AT A HEIGHT OF 1.2m ABOVE THE GROUND.
4. FREQUENCY: 1900±200Hz AT TEST VOLTAGES OF 14/28 VOLTS.
5. INTERMITTENCE: 80±10 CYCLES PER MINUTE AT TEST VOLTAGES OF 14/28 VOLTS.
6. DURABILITY: CONTINUOUS 500 HOURS AT TEST VOLTAGE OF 32 VOLTS.
7. TEMPERATURE RANGE: -40°C ~ +85°C.
8. WATER RESISTANCE: TO RESIST WATER AND BE ABNORMALITY FREE AS TESTED SUBJECT TO ITEM S1, JIS D 0203.
9. VIBRATION RESISTANCE: PER SAE J994.
10. SURGE VOLTAGE TEST: TO BE ABNORMALITY FREE AS TESTED SUBJECT TO ISO7637 ITEM 3a,3b,5.
11. OTHERS: MEETS REQUIREMENTS OF SAE J994.

CHANGES FROM BASE PRODUCT: BA-891 (#1303) TO BA-891 (PC) (#1561):

1. DELPHI CONNECTOR ADDED.
2. GIFTBOX LABEL CHANGED BY OPERATIONS AND MATERIALS.
3. BLACK CABLE TIE APPLIED TO CABLE.

OPERATION: SAME AS BASE PRODUCT.

NOTES:

1. LABELING AND PACKAGING TO BE CONTROLLED BY OPERATIONS AND MATERIALS.
2. VIEW A CONNECTOR COLOUR IS GREY.

PROPRIETARY NOTICE

THIS DESIGN AND TECHNICAL INFORMATION APPEARING ON THIS DRAWING IS THE PROPERTY OF BRIGADE ELECTRONICS, AND IS DISCLOSED IN CONFIDENCE. IT IS NOT TO BE COPIED, REPRODUCED, REVEALED TO OR EXPROPRIATED BY OTHERS, EITHER IN WHOLE OR IN PART WITHOUT THE EXPRESS WRITTEN CONSENT OF BRIGADE ELECTRONICS.

BRIGADE
www.brigade-electronics.com

Assembly Pl Approval NAREN - 09/04/13	Approved by B.JOHN	Checked by B.CHILDS	Released 09/04/13	Drawn by R.BATES	Assembly Ref -
Angle of Projection Third Angle	Units mm	Scale N/A	Status RELEASED	BA-891 (PC)	
	Part No #1561	BE-002387-01-13			